

TQLM125平面回转清理筛

TQLM125 平面回转清理筛是一种风筛结合，以筛为主，具有多种运动轨迹的清理设备。本机用于清理颗粒状物料中大、小、轻杂，它可根据分离不同物料的要求，调整转速和偏重块重合量，来改变其振幅，从而达到最佳清理效果。

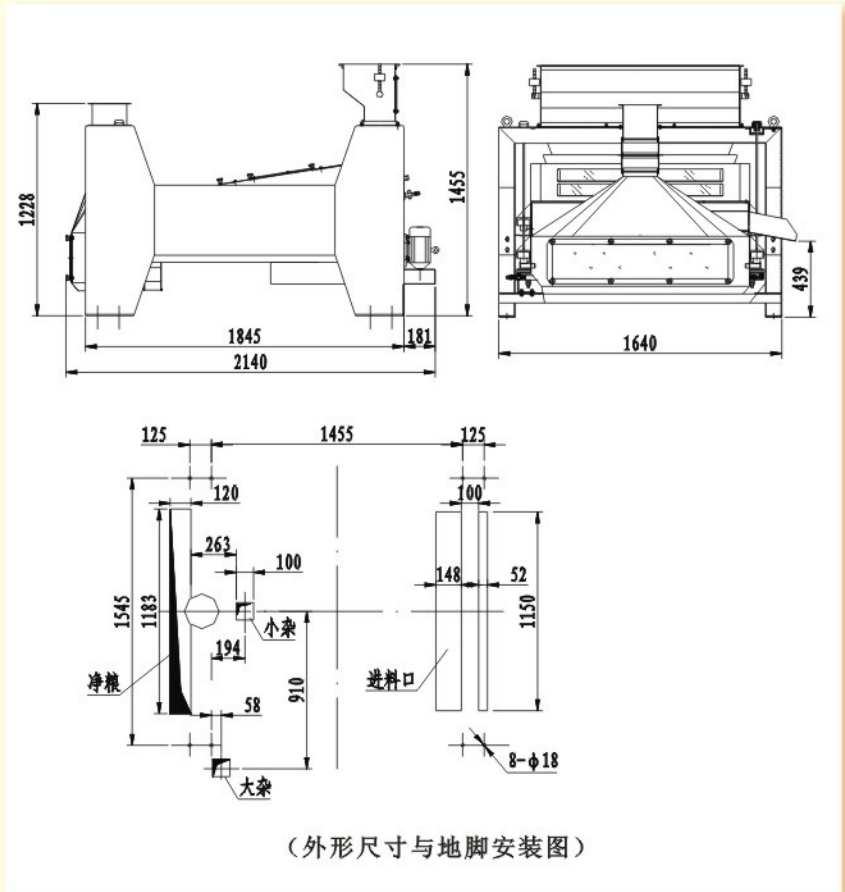
特点

- 结构紧凑，运转平稳，清理效果好，
- 噪音小，能耗低，产量高。
- 进料箱进料流量稳定，物料在筛宽方向分布均匀，筛船运动产生三种轨迹，对不同含杂粮食适应性强。

Combined with wind, TQLM125 rotary cleaning sieve runs with several tracks at the same time. It is mainly used to clean big, small and light impurities in granular stuff. In the light of different varieties, by adjusting rotary speed and weight of balance block, its amplitude is changed so as to achieve the optimum cleaning effect.

Feature

- Compact construction, steady running, good cleaning effect.
- Small noise, low power consumption and high output.
- Steady feeding flow in feeding box, stuff can be distributed even in width direction. The movement of sieve box is three tracks. It has strong adaptability for different grain with impurities.



主要技术参数

项 目		TQLM125	
		稻谷初清	稻谷清理
处理量	t/h	25	8
筛面宽度	mm	1250	
筛面倾角	(°)	7.5	
转速	r/min	300,400,500 (三级可调)	
配备动力	kw	0.75	
吸风分离罩所需风量	m ³ /min	55	
进料箱吸轻杂所需风量	m ³ /min	25	
机重	kg	800	
外形尺寸(长×宽×高)	mm	2140×1650×1460	

通过ISO9001国际标准质量体系认证

E-mail: yongxiangmiji@sohu.com http://www.hbyxlj.com

地址: 湖北省安陆市府河大道8号

ADD: 8 FUHE AVE. ANLU CITY, HUBEI, CHINA

电话(TEL): 0712-5254443 5254445 5258762 传真(FAX): 0712-5254443 邮编(POSTCODE): 432600