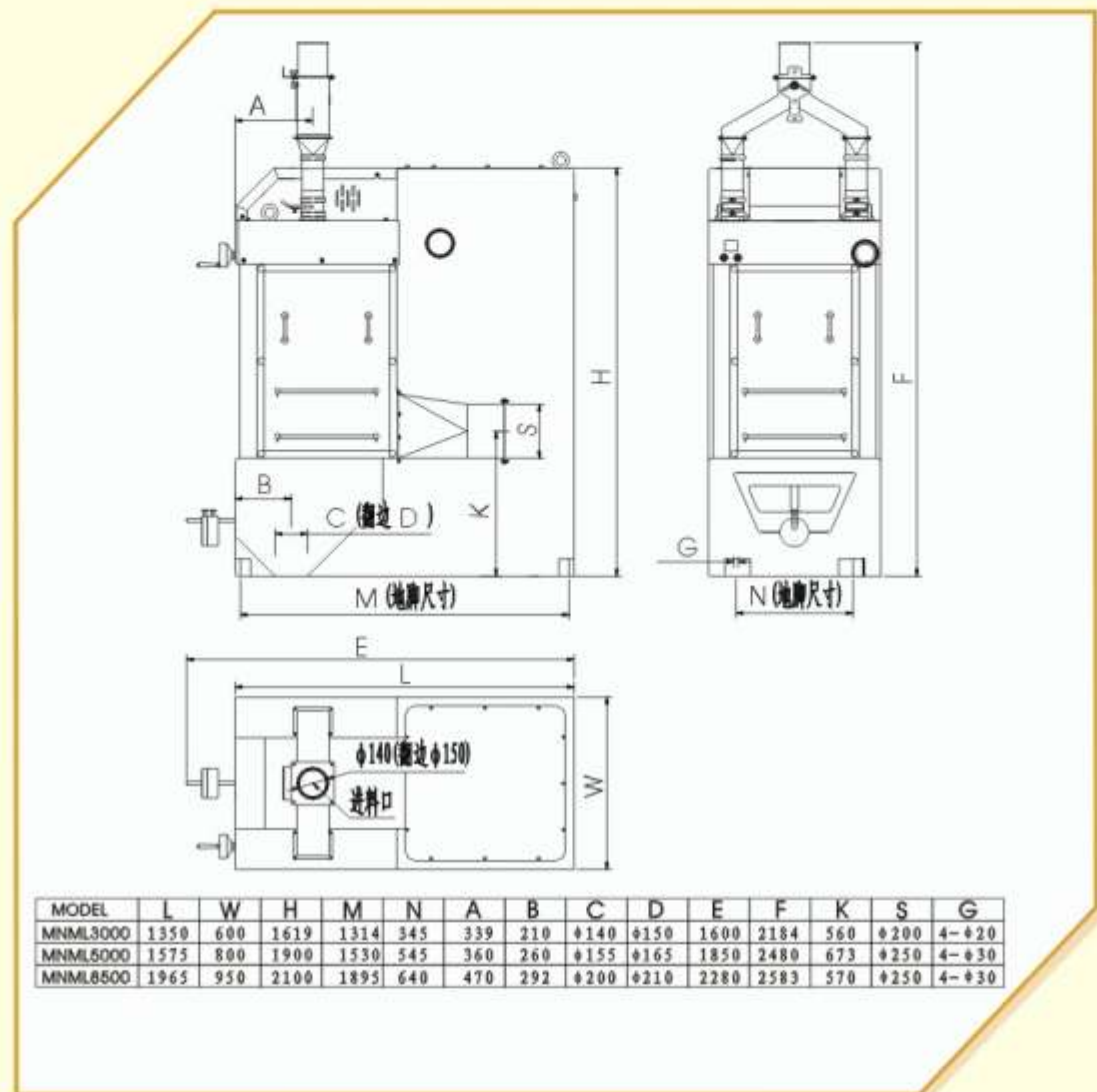


外形尺寸与地脚安装图 OVERALL DIMENSION



主要技术参数 MAIN TECHNICAL DATA

型号 Type	MNML3000	MNML5000	MNML8500
处理量Output (t/h)	2.5~4	4~6	7~9
动力配备Power (kw)	22~30	37~55	55~75
主轴转速Rotary speed (rpm)	680~1130	553~900	415~665
负压 Negative pressure (mm H ₂ O)	150~200	150~300	150~300
风量Air volume (m ³ /min)	30~40	40~50	50~70
机重 (不含电机) Weight (kg)	≈1200	≈1200	≈1880

通过ISO9001国际标准质量体系认证

E-mail: yongxiangmiji@sohu.com http://www.hbyxlj.com

地址: 湖北省安陆市府河大道8号

ADD: 8 FUHE AVE. ANLU CITY, HUBEI, CHINA

电话(TEL): 0712-5254443 5254445 5258762 传真(FAX): 0712-5254443 邮编(POSTCODE): 432600

皇冠型MNML系列立式米机

VERTICAL EMERY ROLL WHITENER

领先世界
的长粒米加工利器



湖北永祥粮食机械股份有限公司

HUBEI YONGXIANG FOOD PROCESSING MACHINE CO., LTD.

皇冠型MNML系列立式米机

皇冠型 MNML 系列立式米机是永祥集多年长粒米加工技术的基础上精心研制的立式碾米机，和世界上许多专业厂家生产的立式碾米机相比较，具有碾米精度高、碎米少、糠粉少、操作方便的特点。是长粒米碾米设备中皇冠级的优良米机。

CROWN MNML SERIES VERTICAL EMERY ROLL WHITENER

CROWN MNML Series vertical emery roll whitener is designed on the basis of long rice processing technology of many years. Compared with vertical whiteners produced by other specialized factories in the world, the machine has features such as higher rice degree, less broken rice, less bran and much easier to operate, it is excellent machine in rice mill equipment for long rice.



MNML3000/5000/8500
立式碾米机

特点

- 高风速、高负压碾米，糠粉少、精度高、米温低。
- 特殊的砂辊结构，碾米过程碎米少。
- 同等的产量下电耗较低（电耗下降20%左右）。
- 特殊的结构，加工的大米损耗少，设备零件耐磨性提高。
- 同样的品种（长粒米），比其它类型立式米机出米率多2~5%（视品种而定）。

FEATURE

- High air speed, high negative pressure, no bran, high rice degree and low rice temperature.
- With special construction in emery roll, there is less broken rice during rice milling processing.
- Lower power consumption (decreasing by about 20%) under the same capacity.
- High abrasion resistance with special construction in emery roll.
- Increase of 2~5% in white rice yields from husked rice compared with other vertical whiteners under the same variety. (depending on different varieties)

